

# LCD TV

## Quick Setup Guide

**Sony Customer Support**  
 U.S.A.: <http://www.sony.com/tvsupport>  
 Canada: <http://www.sony.ca/support>

United States: 1.800.222.SONY  
 Canada: 1.877.899.SONY

Please Do Not Return the Product to the Store

**For Your Convenience**

**Online Registration:** Be sure to register your TV.

**United States:** <http://productregistration.sony.com>  
**Canada:** <http://www.sony.ca/registration>

# BRAVIA

© 2012 Sony Corporation  
 Printed in Mexico

KDL-42EX441 / 42EX440 / 32EX340

# 1 Your New BRAVIA® LCD HDTV

Congratulations! Your new BRAVIA® TV opens the door to the “Stunning HD Experience”. This guide will explain how to get the most from your new High Definition TV.

Please take these steps before you power up your BRAVIA:

- Register online at: <http://productregistration.sony.com> (from U.S.A.)  
<http://www.sony.ca/registration> (from Canada)
- Make sure you've removed all accessory contents from packaging.
- Install 2 AA batteries (supplied separately) in your remote control.
- Determine whether you will mount your TV on a wall or place it on the Table-Top Stand. Sony wall-mounting brackets are designed to provide the best fit.
- Give your TV 2 3/8 inches (6 cm) of space behind it to properly ventilate.

## You must get HD programming to experience the stunning detail of HDTV.

- The quality of the image you see on your BRAVIA can only be as high as the quality of the signal it is receiving.
- Contact your cable, satellite or HD Service provider to upgrade your service to HD. Receive over-the-air HD broadcasts with an HD-quality antenna ([www.antennaweb.org](http://www.antennaweb.org)) and discover the wealth of entertainment now available on super-high-resolution Blu-ray Disc™.

To learn more about HDTV, visit:  
**U.S.A.:** <http://www.sony.com/HDTV>  
**Canada:** <http://www.sony.ca/hdtv>

## Connecting to Your TV

Your BRAVIA TV must be properly connected to components such as sound system and cable or satellite box.

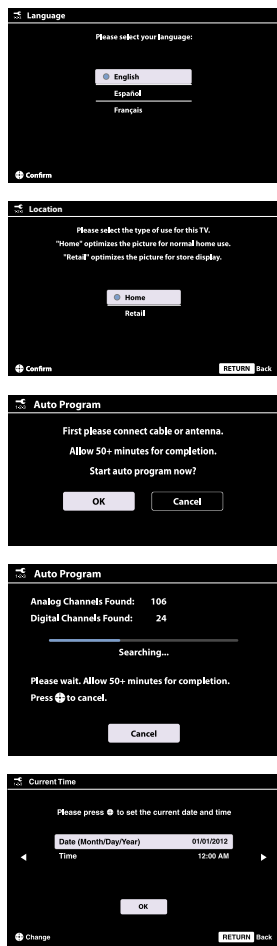
- Turn off and unplug all components before making connections.
- Do not turn on the TV until connection setup is completed.
- See reverse side of this poster for sample connection diagrams.

INPUT Connector	VIDEO Connection	AUDIO	High or Standard Definition Quality						
			1080/24p	1080p	1080i	720p	480p	480i	PC
HD HDMI 1 HDMI 2	HDMI connection*	HDMI cable carries both video and audio signals. (*When HDMI is connected to DVI with an adapter, a separate audio L/R is necessary.)	●	●	●	●	●	●	●
			●	●	●	●	●	●	●
SD VIDEO	Component connection	Audio L/R	●	●	●	●	●	●	●
			●	●	●	●	●	●	●

# 2 Running Initial Setup

**Initial Setup** instructions are displayed on the screen when your BRAVIA is powered on for the first time.

- 1 Select the language for the OSD (on screen display).
- 2 Select the type of use.
- 3 Connect either cable or antenna to your TV. You can connect both using an A-B RF switch (not supplied).
  - If you are not using the CABLE/ANTENNA connection to TV (for example, if using a cable or satellite box), you can cancel the **Auto Program** by selecting **Cancel**.
- 4 Channels of the signal source (cable or antenna) connected in step 3 are automatically scanned and detected.
- 5 Set the current date and time.



If you did not follow the **Initial Setup** screen the first time you turned on your TV, refer to your Operating Instructions Manual. To change the signal source setting (cable to antenna or vice versa), press **HOME** and select **Settings, Channel, Signal Type** to select signal source type, and then perform **Auto Program**.

## To Do List

When the **Initial Setup** is completed, consider carrying out these items:

- Set Closed Captions (CC)**
- Set Parental Lock**
- Show/Hide Channels**
- Manage Inputs (AV Setup)**
- Set Speakers**

For details, refer to your BRAVIA Operating Instructions Manual.

# 3 Watching Your TV

## Select Your Content Source

Whether you are watching cable, satellite or broadcast TV; playing a VCR, DVD or Blu-ray Disc; or connecting to your PC, you need to choose the correct input using your remote control:

- Press the **INPUT** button repeatedly until your selection is highlighted on-screen.

## Adjust Screen Shape and Aspect Ratio

High Definition and Standard Definition signals are transmitted with different aspect ratios (the width-to-height ratio of the image).

The 16:9 aspect ratio (common to most HD signals) looks perfect on your BRAVIA.



The boxy 4:3 aspect ratio (common to most SD signals) must be adjusted to fill the screen.



- Press the **WIDE** button on your remote control to display the **Wide Mode** setting of your preference.

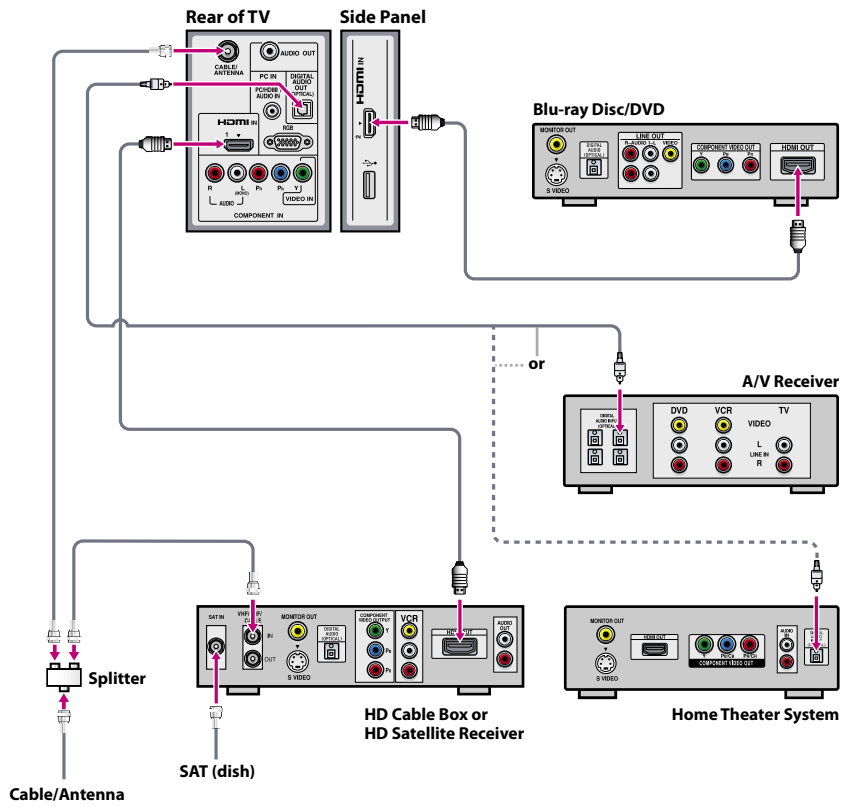
## Customize Sound and Picture Quality

You can choose optimum sound and picture settings to match the content you are displaying on your TV:

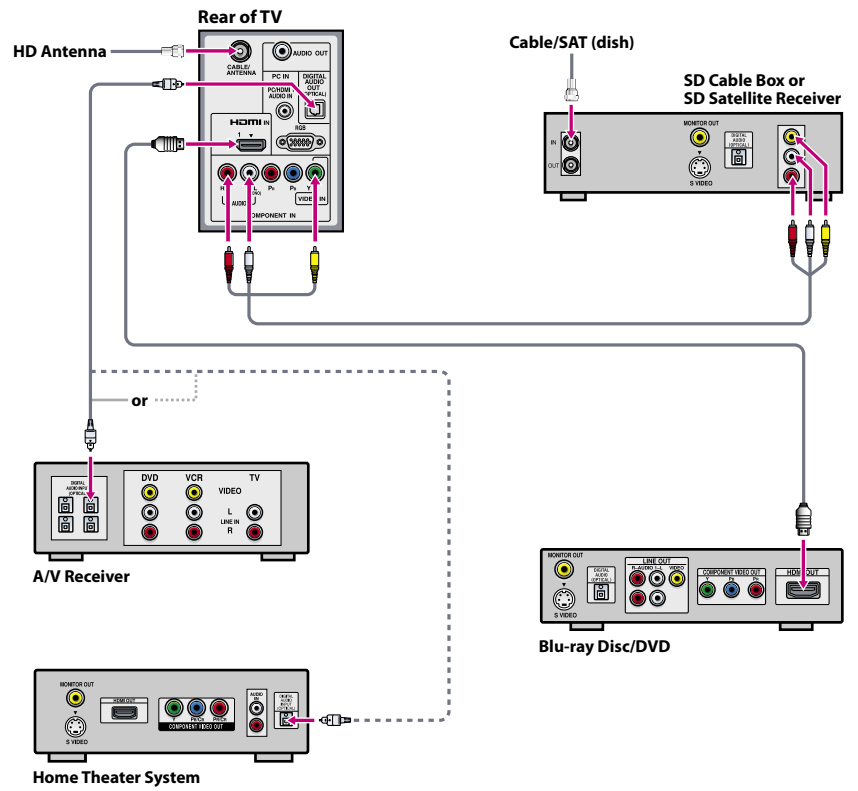
- Press the remote control's **HOME** button, select **Settings**, then select the **Picture** and **Sound** settings to adjust the picture and sound quality of your content.

Refer to your Operating Instructions Manual for more information on adjusting or customizing your settings.

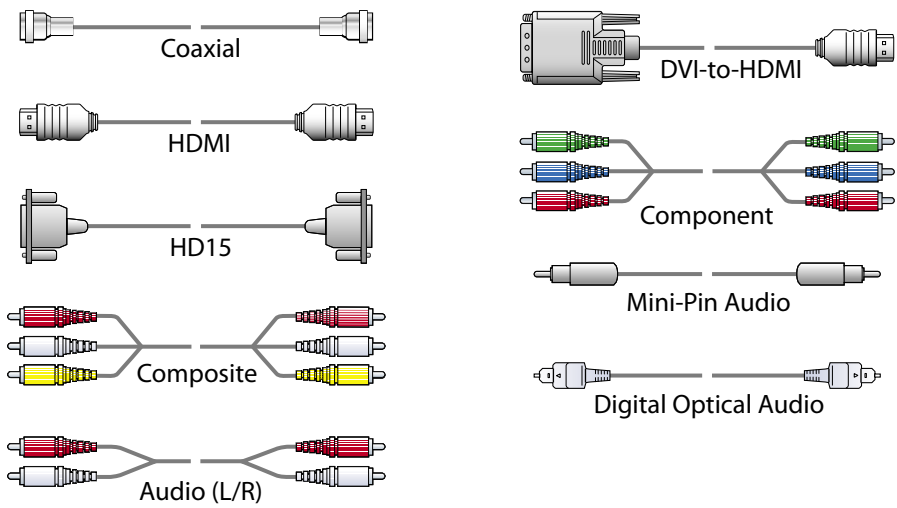
## Basic Connection with HD Cable Box



## Basic Connection with SD Cable Box



## Required Cable Types for Connection



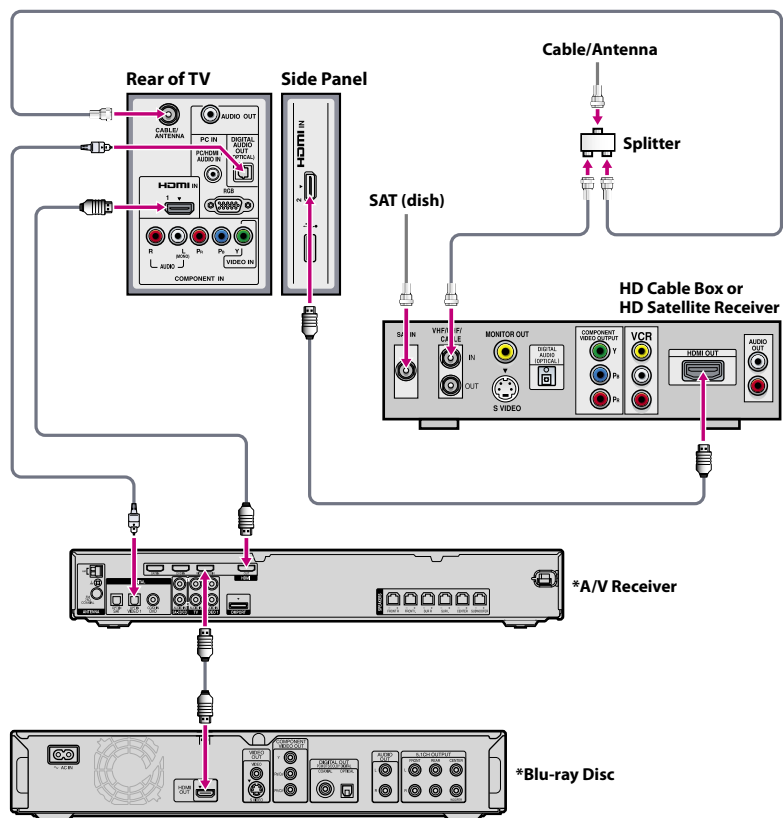
## Notes on Connection:

- Your TV is equipped with multiple HDMI inputs; connect your incoming signal source (HD Cable Box, HD Satellite Box, or DVD) with HDMI or component video for the best possible picture quality.
- If your connecting equipment has DVI output instead of HDMI output, you must use DVI-to-HDMI cable for the video and also connect an audio cable for the sound.

## Connecting a PC to Your BRAVIA® TV

- Connect PC's audio output when using an HD15 connection.
- Press PC's FUNCTION Key + Select Output to transmit to TV.
- When using an HD15 connection, adjust TV's Pitch and Phase to correct sharpness.
- Refer to your BRAVIA® Operating Instructions Manual for more information.

## HD BRAVIA® Sync™ Basic Connection



\*Signifies a BRAVIA Sync capable device.

## PC Connection with SD VCR/DVD

