

Product Highlights

Wireless N Connectivity

The latest in wireless N technology gives you increased speed, range and reliability, while freeing you from the hassle of running cables to your camera

Motion Detection with Night Vision

Never miss a moment with the ability to be notified of either sound or motion detection, and night vision ensures clear images even in complete darkness

mydlink™ Home Support

Access the mydlink website to view your camera from anywhere with Internet access, and use the mydlink Home app to view your camera on the go



DCS-5025L

HD Pan, Tilt & Zoom Wi-Fi Camera

Features

Camera

- High quality CMOS sensor for crystal clear images
- Pan and Tilt functions to cover a large area
- Built-in IR LEDs to capture video in low-light environments

Wireless N Connectivity

- Wireless 802.11n gives increased speed, range, and reliability
- Place anywhere without the need for additional network cabling

Sound and Video

- Real-time H.264 and MJPEG compression for reduced video file size
- Sound and motion detection

Remote and Mobile Access

- Support for mydlink Home lets you manage your camera from anywhere with Internet access
- Remote video monitoring via the mydlink website

Ease Of Use

- Supports WPS for simple, secure wireless setup
- Send snapshots or video clips to an FTP site or through E-mail

The DCS-5025L HD Pan, Tilt & Zoom Wi-Fi Camera provides a range of features to help you effectively monitor large areas of your home or small office at all hours of the day. The pan/tilt function allows the camera to patrol a wide area, while the built-in IR LEDs provide around the clock surveillance regardless of the lighting conditions. Wireless connectivity means there is no need for additional cabling, so setup is quick and hassle-free.

Peace of Mind with 24/7 Monitoring of any Environment

The DCS-5025L is a standalone surveillance camera that requires no special hardware or software, and can run independently even without a PC. Send e-mail notifications with snapshots or video clips whenever motion or sound is detected using just the DCS-5025L and an Internet connection. You can customize areas of the video image to monitor for motion, allowing you to effectively monitor areas such as entryways. You can also set volume thresholds to determine the sound level required to trigger a notification, great for detecting the sound of an intruder or vehicle, or the cry of a baby. Night time monitoring is also possible thanks to built-in infrared LEDs which allow for night time viewing of up to 5 meters, enabling round-the-clock monitoring of your home or small office.

Instant Access Anywhere with mydlink™ Home

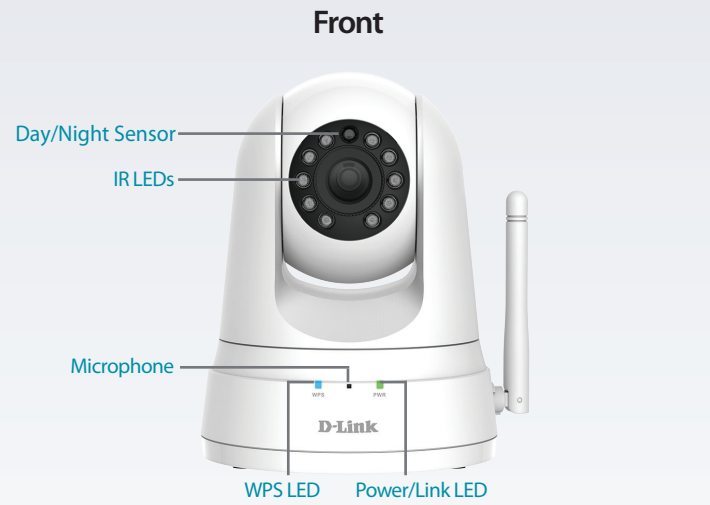
Enhanced with the mydlink™ Home app, the DCS-5025L makes it easier and more convenient for you to keep an eye on your family, home or office, no matter where you are. You can view your camera's live video through the mydlink website, and also through an optional downloadable mydlink Home app for your iPhone, iPad, or Android mobile device. With the mydlink Home app, you can quickly and easily view your camera feed from anywhere using a Wi-Fi or 3G/4G connection for peace of mind, anywhere, anytime.

Sharp Image Monitoring from Different Angles

By providing you with sharp, responsive pan/tilt movement and digital zoom, the HD Pan, Tilt & Zoom Wi-Fi Camera gives you full control. You can quickly scan a wide area from a variety of angles, and 4x digital zoom lets you zoom in on specific areas for more detail. The DCS-5025L can also be set to move to specific preset positions, allowing the camera to focus on particular areas of interest within the surveillance area.

Increased Range with Wireless N Technology

Place the DCS-5025L anywhere in your home or small office thanks to the latest Wireless N technology. With 802.11n, you can free yourself from the hassle of running cables to a far location, so you can effortlessly extend the range where your camera will be installed and start taking advantage of the increased data transfer speeds provided by Wireless N.



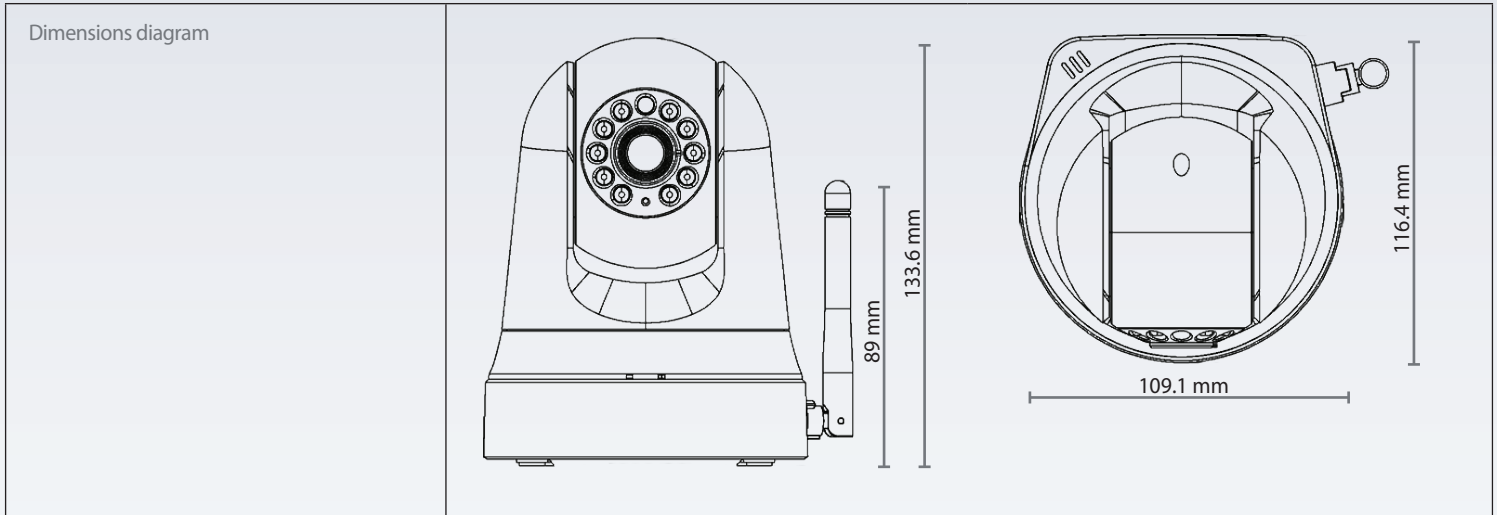
Technical Specifications

Camera

Camera Hardware Profile	<ul style="list-style-type: none"> • 1/4" VGA progressive CMOS sensor • 5 meter IR illumination distance • Minimum illumination: 0 lux with IR LEDs on • Built-in Infrared-Cut Removable (ICR) Filter module • 4X digital zoom • Lens: Fixed length 2.38 mm • Aperture: F2.2 	<ul style="list-style-type: none"> • Angle of view: <ul style="list-style-type: none"> • (H) 94.36° • (V) 59.3° • (D) 110.44° • Built-in microphone
Image Features	<ul style="list-style-type: none"> • Configurable image size and quality • Time stamp and text overlays 	<ul style="list-style-type: none"> • Configurable motion detection windows • Pre-event snapshot/recording
Video Compression	<ul style="list-style-type: none"> • Simultaneous H.264/MJPEG format compression 	<ul style="list-style-type: none"> • JPEG for still images
Video Resolution	<ul style="list-style-type: none"> • H.264: 1280 x 720 (default) <ul style="list-style-type: none"> • 640 x 480 • 320 x 240 at frame rates up to 30 fps 	<ul style="list-style-type: none"> • MJPEG: 1280 x 720 (default) <ul style="list-style-type: none"> • 640 x 480 • 320 x 240 at frame rates up to 30 fps
Audio Compression	<ul style="list-style-type: none"> • PCM 	
Image Enhancement Features	<ul style="list-style-type: none"> • AGC • AWB 	<ul style="list-style-type: none"> • AES

Pan/ Tilt		
Pan Range	• -170° to +170° (total 340°)	
Tilt Range	• -20° to +90° (total 110°)	
Angular Velocity	• 16° per second	
Step Setting	• Pan 1°/2°/3°/4°/5°(default)/10°/15°/20°/25°/30° per click • Tilt: 1°/2°/3°/4°/5°(default)/10°/15°/20°/25°/30° per click	
Network		
Connectivity	• 10/100 BASE-T Fast Ethernet port	• 802.11n wireless
Network Protocols	<ul style="list-style-type: none"> • IPV4, ARP, TCP, UDP, ICMP • DHCP Client • NTP Client (D-Link) • DNS Client • DDNS Client (D-Link) • SMTP Client 	<ul style="list-style-type: none"> • FTP Client • HTTP Server • PPPoE • UPnP Port Forwarding • LLTD • HNAP for mydlink Home
Security	<ul style="list-style-type: none"> • WPS • WPA-PSK, WPA2 	<ul style="list-style-type: none"> • HTTP digest encryption • Password authentication
Advanced Features		
System Requirements for Web Interfaces	<ul style="list-style-type: none"> • Operating system: Microsoft Windows, XP/Vista/7/8 • Browser: Internet Explorer 8/Firefox 13/Safari 4/Chrome 19 or higher with Java enabled 	
Event Management	<ul style="list-style-type: none"> • Motion detection • Sound level detection 	<ul style="list-style-type: none"> • Event notification and uploading of snapshots/video clips via e-mail (SMTP) or FTP
Remote Access		
Remote Management	• Configuration accessible via web browser	
Mobile support	• mydlink Lite app for iOS and Android	• mydlink+ app for iOS and Android
D-ViewCam™ System Requirements	<ul style="list-style-type: none"> • Operating System: Microsoft Windows XP/Vista/7/8 • Web Browser: Internet Explorer 7 or higher 	• Protocol: Standard TCP/IP
D-ViewCam™ Software Functions	<ul style="list-style-type: none"> • Remote management/control of up to 32 cameras • Viewing of up to 32 cameras on one screen • Supports all management functions provided in web interface 	• Scheduled motion triggered, or manual recording options
General		
Weight	• Device: 292.4 grams (0.64 lbs)	• Stand: 60.8 grams (0.13 lbs)
Power	• 5V DC 1.5 A, 50/60 Hz	
Power Consumption	• 5.56 watts	
Temperature	• Operating: 0 to 40 °C (32 to 104 °F)	• Storage: -20 to 70° C (-4 to 158 °F)
Humidity	• Operating: 20% to 80% non-condensing	• Storage:
Certifications	<ul style="list-style-type: none"> • CE • CE LVD 	<ul style="list-style-type: none"> • FCC • ICES
Dimensions	• 116.4 x 109.1 x 133.6 mm (4.58 x 4.29 x 5.26 inches) (Camera only)	• 116.4 x 109.1 x 230.0 mm (4.58 x 4.29 x 9.06 inches) (Including mounting bracket)

DCS-5025L HD Pan, Tilt & Zoom Wi-Fi Camera



Order Information	
Part Number	Description
DCS-5025L	HD Pan, Tilt & Zoom Wi-Fi Camera

Updated 08/06/2015